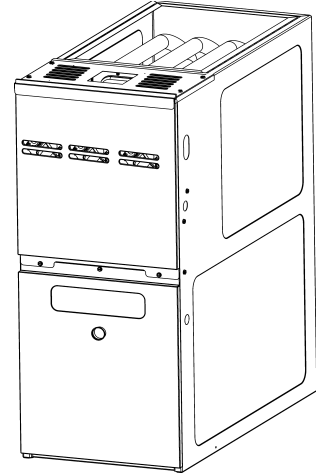




# REPAIR PARTS

## AMES 80% Ultra Low Nox High Efficient Furnace

AMES800403AUAA  
AMES800603AUAA  
AMES800604BUAA  
AMES800804BUAA  
AMES800805CUAA



Amana® is a registered trademark of Maytag Corporation or its related companies and is used under license. All rights reserved.

This manual is to be used by qualified technicians only.

This manual replaces RP-A2317

© 2019 - 2020 Goodman Company, L.P. ♦ 5151 San Felipe St, Suite 500 ♦ Houston, TX 77056

# Important Information

---

## Index

Functional Parts List .....	3
Illustration and Parts .....	4 - 9

*Views shown are for parts illustrations only, not servicing procedures*

### Text Codes:

AR - As Required

NA - Not Available

NS - Not Shown

00000000 - See Note

QTY - Quantity Example (QTY 3) (If Quantity not shown, Quantity = 1)

M - Model Example (M1) (If M Code not shown, then part is used on all Models)

### Expanded Model Nomenclature:

Example M1 - Model#1 M2 - Model#2 M3 - Model#3
---

Goodman Company, L.P. is not responsible for personal injury or property damage resulting from improper service. Review all service information before beginning repairs.

Warranty service must be performed by an authorized technician, using authorized factory parts. If service is required after the warranty expires, Goodman Company, L.P. also recommends contacting an authorized technician and using authorized factory parts.

Goodman Company, L.P. reserves the right to discontinue, or change at any time, specifications or designs without notice or without incurring obligations.

For assistance within the U.S.A. contact:

Homeowner Support  
Goodman Company, L.P.  
19001 Kermier Road  
Waller, Texas 77484  
877-254-4729-Telephone  
713-863-2382-Facsimile

For assistance outside the U.S.A. contact:

International Division  
Goodman Company, L.P.  
19001 Kermier Road  
Waller, Texas 77484  
713-861-2500-Telephone  
713-863-2382-Facsimile

# Functional Parts

## Part

## No: Description:

---

0130F00037	AUX LIMIT - GRAY 150°
B1368034	BLOWER WHEEL 10 X 6 (M1, M2)
0163F00023	BURNER, BECKETT 2B (M1)
0163F00024	BURNER, BECKETT 3B (M2, M3)
0163F00025	BURNER, BECKETT 4B (M4, M5)
PCBBF161	CONTORL BOARD
0130F00762	FLAME SENSOR
0151M00094	GAS VALVE, ULN
0130F00765	ID PLUG (M2)
0130F00766	ID PLUG (M3)
0130F00767	ID PLUG (M4)
0130F00768	ID PLUG (M5)
0130F00773	ID PLUG, ULN 80 (M1)
10690402	INTERLOCK SWITCH
20162901	LIMIT-RED (M1, M2, M3)
0130F00067	LIMIT-RED (M4)
20162906	LIMIT-WHITE (M5)
0131M00921	MOTOR, VENT ULN80
0130F00713	PRESSURE SW TRANSDUCER
0131F00168	PROGRAMED MOTOR (M2)
0131F00167	PROGRAMED MOTOR (M1)
0131F00169	PROGRAMED MOTOR (M3)
0131F00170	PROGRAMED MOTOR (M4)
0131F00171	PROGRAMED MOTOR (M5)
0130F00769	SWITCH, HIGH LIMIT ULN (M3)
0130F00770	SWITCH, HIGH LIMIT ULN (M1)
0130F00771	SWITCH, HIGH LIMIT ULN (M2, M4)
0130F00772	SWITCH, HIGH LIMIT ULN (M5)
0130M00140	TRANSFORMER,(120V TO 24V,40VA,
0130F00717	ULN IGNITOR
0150M00042	WHEEL, BLOWER (10 X 10) (M5)
0150M00043	WHEEL, BLOWER (10 X 8) (M3, M4)

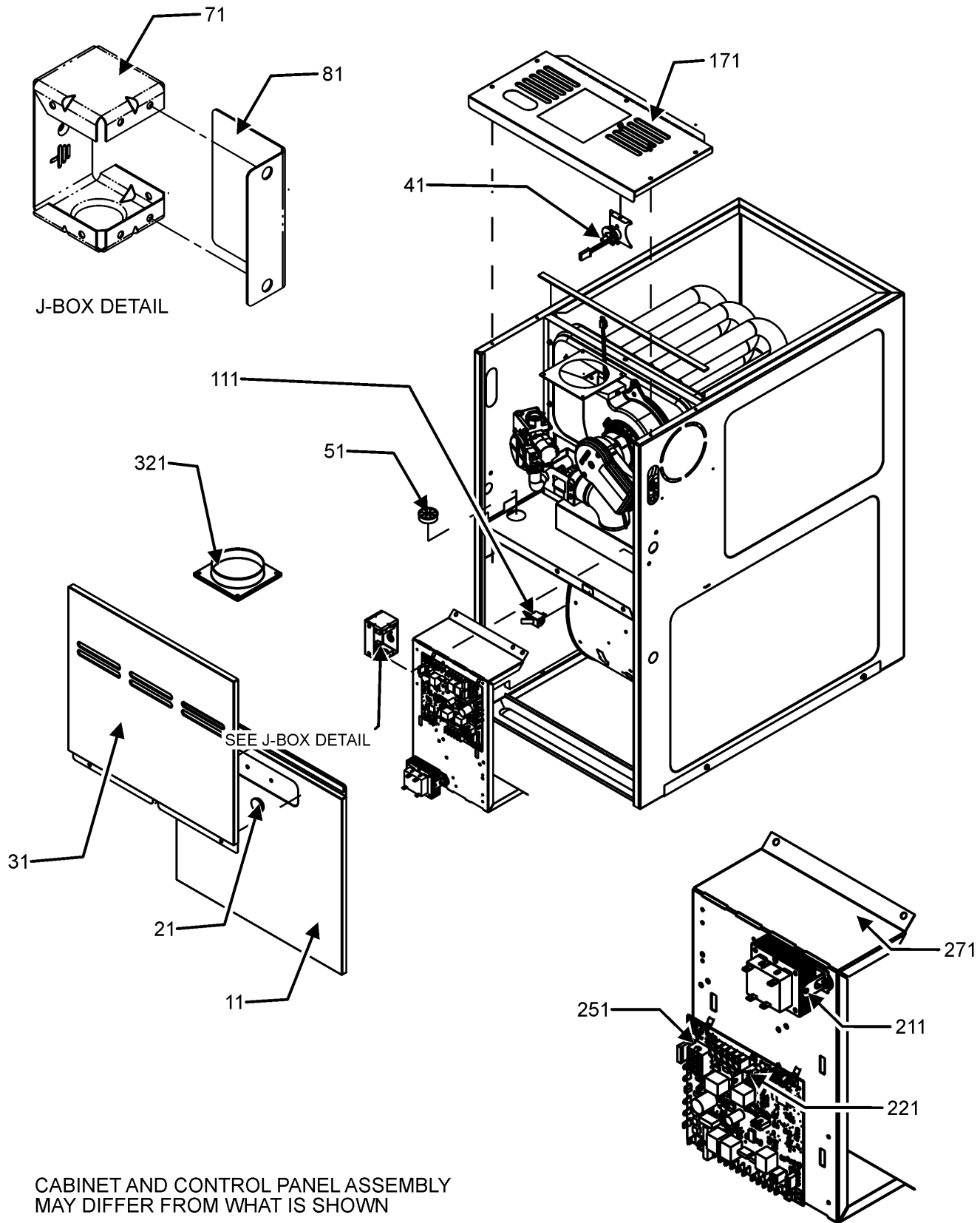
### SPECIAL PARTS

0161F00006 NAMEPLATE, AMANA

### Expanded Model Nomenclature

M1 - AMES800403AUAA
M2 - AMES800603AUAA
M3 - AMES800604BUAA
M4 - AMES800804BUAA
M5 - AMES800805CUAA

# Cabinet Assembly



# Cabinet Assembly

Ref. Part No: No:	Description:	Ref. Part No: No:	Description:
-------------------	--------------	-------------------	--------------

**Image 1:**

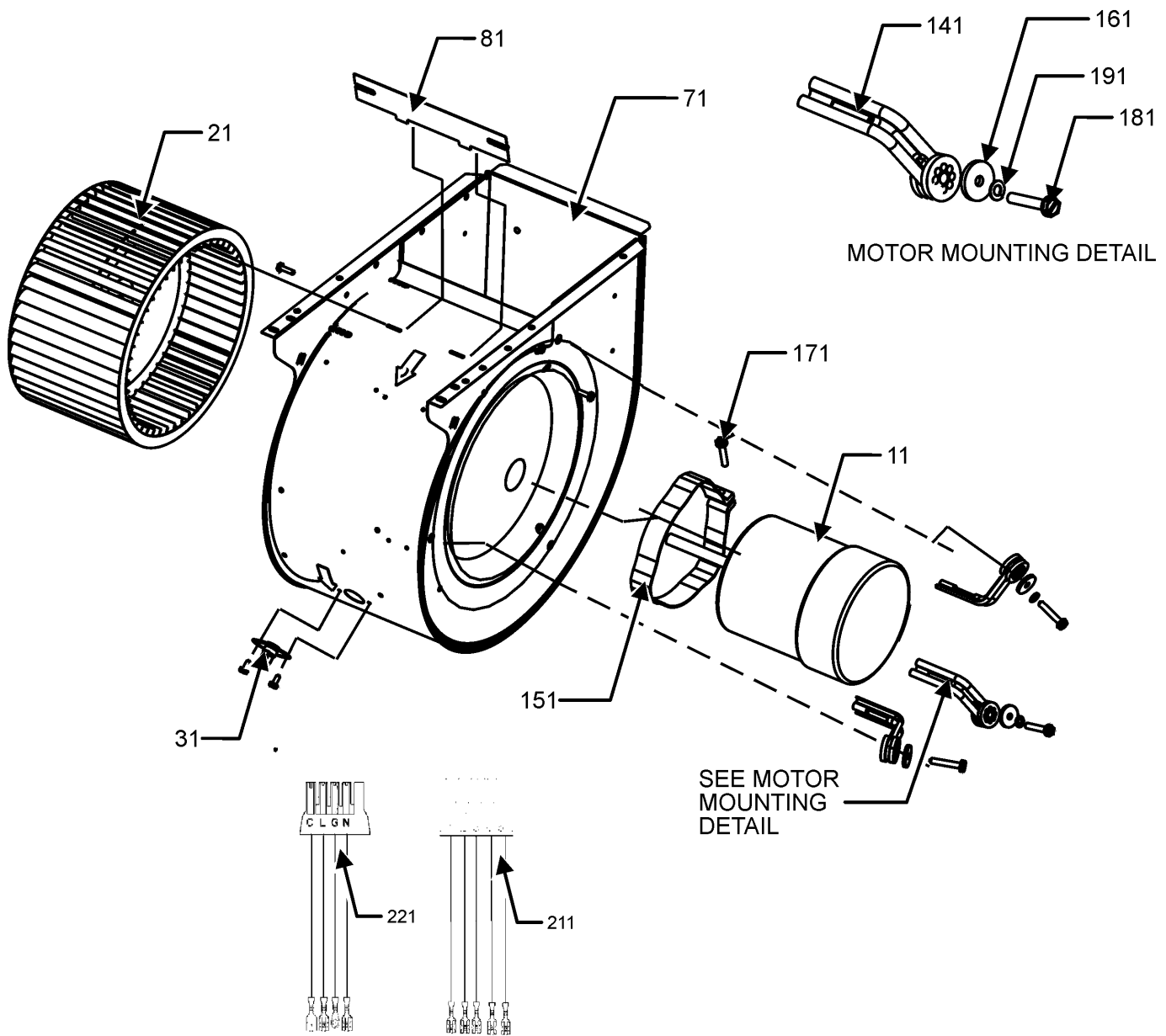
11	0121F00122LG	DOOR, BLOWER, 14"-PAINTED (M1, M2)
11	0121F00123LG	DOOR, BLOWER, 17.5"-PAINTED (M3, M4)
11	0121F00124LG	DOOR, BLOWER, 21"-PAINTED (M5)
21	B1392139	VIEW PORT BUSHING-BLOWER DOOR
31	0121F00118LG	DOOR CTRL AC CESS, 14"-PAINTED (M1, M2)
31	0121F00120LG	DOOR CTRL AC CESS, 21"-PAINTED (M5)
31	0121F00119LG	DOOR CTRL AC CESS,17.5"-PAINTED (M3, M4)
41	0130F00713	PRESSURE SW TRANSDUCER
51	B1392147	UNIVERSAL BUSHING WITH SLICE
71	4014502	J-BOX
81	4015502	COVER, J-BOX
111	10690402	INTERLOCK SWITCH
171	0121F00141DG	TOP, FURNACE 14"-PAINTED (M1, M2)
171	0121F00142DG	TOP, FURNACE 17.5"-PAINTED (M3, M4)
171	0121F00143DG	TOP, FURNACE 21"-PAINTED (M5)
211	0130M00140	TRANSFORMER ,(120V TO 24V,40VA,
221	0130F00765	ID PLUG (M2)
221	0130F00766	ID PLUG (M3)
221	0130F00767	ID PLUG (M4)
221	0130F00768	ID PLUG (M5)
221	0130F00773	ID PLUG, ULN 80 (M1)
251	PCBBF161	CONTORL BOARD
271	0121F00464	MOUNTING PLATE-CONTROLS
321	4023500	CHIMNEY TRANSITION TOP
NS	0161F00006	NAMEPLATE, AMANA

**Expanded Model Nomenclature**

- |                     |
|---------------------|
| M1 - AMES800403AUAA |
| M2 - AMES800603AUAA |
| M3 - AMES800604BUAA |
| M4 - AMES800804BUAA |
| M5 - AMES800805CUAA |

# Blower Assembly

## BLOWER ASSEMBLY



# Blower Assembly

Ref. Part No: No:	Description:	Ref. Part No: No:	Description:
-------------------	--------------	-------------------	--------------

---

## Image 1:

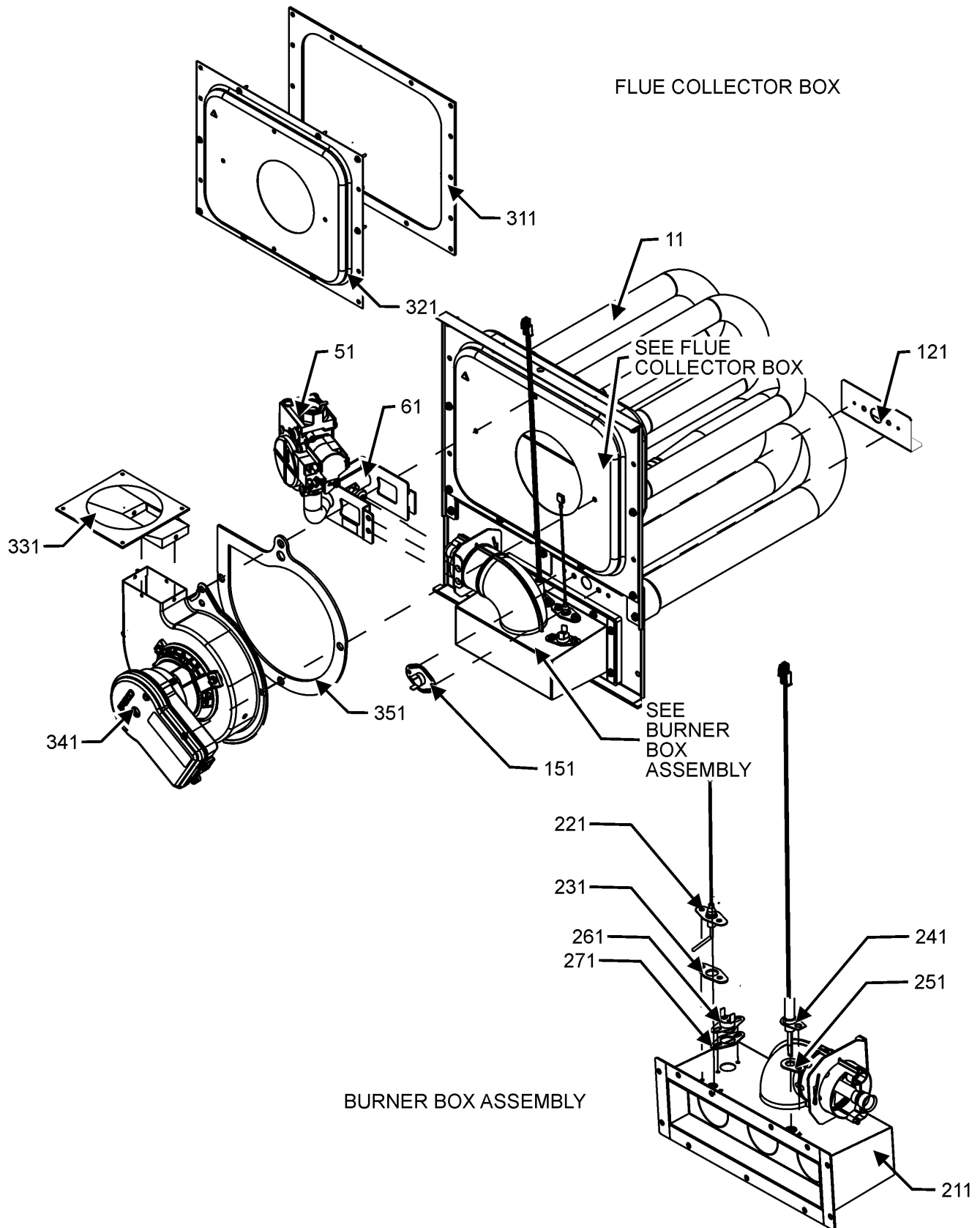
11	0131F00167	PROGRAMED MOTOR (M1)
11	0131F00168	PROGRAMED MOTOR (M2)
11	0131F00169	PROGRAMED MOTOR (M3)
11	0131F00170	PROGRAMED MOTOR (M4)
11	0131F00171	PROGRAMED MOTOR (M5)
21	B1368034	BLOWER WHEEL 10 X 6 (M1, M2)
21	0150M00042	WHEEL, BLOWER (10 X 10) (M5)
21	0150M00043	WHEEL, BLOWER (10 X 8) (M3, M4)
31	0130F00037	AUX LIMIT - GRAY 150°
71	2539307	BLOWER HOUSING 10 X 10 (M5)
71	2539305	BLOWER HOUSING 10 X 6 (M1, M2)
71	2539306	BLOWER HOUSING 10 X 8 (M3, M4)
81	764741	BLOWER BLOCK-OFF 10 X 10 (M5)
81	764740	BLOWER BLOCK-OFF 10 X 8 (M3, M4)
81	764739	BLOWER CUT-OFF 10 X 6 (M1, M2)
141	B1376863	MOUNT ARM, MOTOR (HEAVY DUTY) (QTY 3)
151	0121M00039	MOUNT BAND, MOTOR (HEAVY DUTY)
161	B1392918	WASHER FLAT 1/4 ID X 1 OD (QTY 3)
171	0163M00320	HEX HEAD ALL THREAD TAP BOLT
181	M0250565	SCREW-TC 1.25" (QTY 3)
191	B1393800	LOCKNUT NYLON INSERT 1/4,20
211	0159F00078	WIRING HARNESS
221	0159F00035	WIRING HARNESS

## Expanded Model Nomenclature

M1 - AMES800403AUAA
M2 - AMES800603AUAA
M3 - AMES800604BUAA
M4 - AMES800804BUAA
M5 - AMES800805CUAA

# Heat Exchange Assembly

## HEAT EXCHANGE ASSEMBLY



# Heat Exchange Assembly

Ref. Part No:	Ref. Part No:	Description:	Description:
<b>Image 1:</b>			
11	0270F03775	ASSY, EXCHANGER, HEAT (M5)	
11	0270F03773	ASSY., HEAT EXCHANGER (M3)	
11	0270F03774	ASSY., HEAT EXCHANGER (M1)	
11	0270F04357	ASSY., HEAT EXCHANGER (M2)	
11	0270F04358	ASSY., HEAT EXCHANGER (M4)	
51	0151M00094	GAS VALVE, ULN	
61	0263F00004	ASSY., MANIFOLD (M1)	
61	0263F00005	ASSY., MANIFOLD (M2, M3)	
61	0263F00006	ASSY., MANIFOLD (M4, M5)	
121	0121F00439	HEAT SHIELD-PRIMARY LIMIT	
151	0130F00067	LIMIT-RED (M4)	
151	20162901	LIMIT-RED (M1, M2, M3)	
151	20162906	LIMIT-WHITE (M5)	
211	0163F00023	BURNER, BECKETT 2B (M1)	
211	0163F00024	BURNER, BECKETT 3B (M2, M3)	
211	0163F00025	BURNER, BECKETT 4B (M4, M5)	
221	0130F00762	FLAME SENSOR	
231	0154F00068	GASKET, ULN FLAME SENSOR	
241	0130F00717	ULN IGNITOR	
251	0154F00067	GASKET, ULN IGNITOR	
261	0130F00769	SWITCH, HIGH LIMIT ULN (M3)	
261	0130F00770	SWITCH, HIGH LIMIT ULN (M1)	
261	0130F00771	SWITCH, HIGH LIMIT ULN (M2, M4)	
261	0130F00772	SWITCH, HIGH LIMIT ULN (M5)	
271	0154F00069	GASKET, LIMIT ULN	
311	0154F00048	GASKET, 14 INCH (M1, M2)	
311	0154F00049	GASKET, 17.5 INCH (M3, M4)	
311	0154F00050	GASKET, 21 INCH (M5)	
321	0121F00635	COLLECTOR BOX 4.5 DIA (M1, M2)	
321	0121F00636	COLLECTOR BOX 4.5 DIA (M3, M4)	
321	0121F00637	COLLECTOR BOX 4.5 DIA (M5)	
331	0128F00006	TRANSITION, BOTTOM	
341	0131M00921	MOTOR, VENT ULN80	
351	0154F00048	GASKET, 14 INCH (M1, M2)	
351	0154F00049	GASKET, 17.5 INCH (M3, M4)	
351	0154F00050	GASKET, 21 INCH (M5)	
NS	DY6.186.070	VENT MOTOR CAPACITOR	
NS	0159F00097	WIRE HARNESS	
NS	0159F00035	WIRING HARNESS	
NS	0159F00078	WIRING, HARNESS	

## Expanded Model Nomenclature

- |                     |
|---------------------|
| M1 - AMES800403AUAA |
| M2 - AMES800603AUAA |
| M3 - AMES800604BUAA |
| M4 - AMES800804BUAA |
| M5 - AMES800805CUAA |